

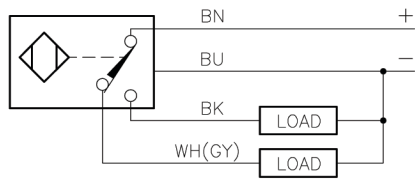
Inductive Sensors



Housing Style	Part Number	ID Number	Features	Sensing Range (mm)	Output
30 mm - Embeddable, Potted-In Cable 	Bi 10-M30-AD4X	T4417000		10	2-Wire DC
	Bi 12-M30-AD4X	T4417035	<i>Extended Range</i>	12	
	Bi 10-EM30-AN6XLD	T4617109	<i>Load Dump</i>	10	3-Wire DC NPN
	Bi 10U-EM30-AN6X	M1636320	<i>Uprox</i>	10	
	Bi 10U-M30-AN6X	M1636120	<i>Uprox</i>	10	
	Bi 15-M30-AN6X	T4618620	<i>Extended Range</i>	15	
	Bi 10-M30-AN6X	T4617691		10	
	Bi 10-EM30-AP6XLD	T4617003	<i>Load Dump</i>	10	3-Wire DC PNP
	Bi 10-M30-AP6X/S100	M4617004	<i>High Temp. 100°C</i>	10	
	Bi 10U-EM30-AP6X	M1636300	<i>Uprox</i>	10	
	Bi 10U-M30-AP6X	M1636100	<i>Uprox</i>	10	
	Bi 15-M30-AP6X	T4618530	<i>Extended Range</i>	15	
	Bi 10-M30-VN4X	T1571400	<i>Comp. Outputs</i>	10	4-Wire DC NPN
	Bi 15-M30-VN4X	T4570712	<i>Extended Range</i>	15	
	Bi 10-M30-VP4X	T1561400	<i>Comp. Outputs</i>	10	4-Wire DC PNP
Bi 15-M30-VP4X	T4570713	<i>Extended Range</i>	15		
Bi 10U-MT30-ADZ30X2	M4209430	<i>Uprox</i>	10	2-Wire AC/DC Short-Circuit Protected	
30 mm - Embeddable, Potted-In Cable 	Bi 10NF-M30-AN6X	M1616100	<i>Nonferrous</i>	10	3-Wire DC NPN
	Bi 10NF-M30-AP6X	M1606100	<i>Nonferrous</i>	10	3-Wire DC PNP
30 mm - Embeddable, Potted-In Cable 	Bi 12-EM30WD-AN6X	M4614543	<i>Washdown</i>	12	3-Wire DC NPN
	Bi 12-EM30WD-AP6X	M4614540	<i>Washdown</i>	12	3-Wire DC PNP

Voltage	Switching Freq. (Hz)	Operating Current (mA) AC/DC	Operating Temp. (°C)	Protection	Housing	Face	End Cap	Power LED	Output LED	Cable Length/ Cable Mat.	Wiring Diagram #	Wiring Diagrams
10-65 VDC	500	≤100	-25 to +70	IP 67	CPB	PA 12	EPTR	N/A	YE	2M/PVC	1	Diagram 1
	400	≤100	-25 to +70	IP 67	CPB	PA 12	EPTR	N/A	YE	2M/PVC	1	
10-30 VDC	500	≤200	-25 to +70	IP 67	SS	PA 12	EPTR	N/A	YE	2M/PVC	2	Diagram 2
	2000	≤200	-30 to +85	IP 68	SS	PA 12	EPTR	N/A	YE	2M/PVC	2	
	2000	≤200	-30 to +85	IP 67	CPB	PA 12	EPTR	N/A	YE	2M/PVC	2	
	500	≤200	-25 to +70	IP 67	CPB	PA 12	EPTR	N/A	YE	2M/PVC	2	
10-30 VDC	500	≤200	-25 to +70	IP 67	SS	PA 12	EPTR	N/A	YE	2M/PVC	3	Diagram 3
	500	≤200	-25 to +100	IP 67	CPB	IRPA	EPTR	N/A	YE	2M/PVC	3	
	2000	≤200	-30 to +85	IP 68	SS	PA 12	EPTR	N/A	YE	2M/PVC	3	
	2000	≤200	-30 to +85	IP 67	CPB	PA 12	EPTR	N/A	YE	2M/PVC	3	
	500	≤200	-25 to +70	IP 67	CPB	PA 12	EPTR	N/A	YE	2M/PVC	3	
10-65 VDC	500	≤200	-25 to +70	IP 67	CPB	PA 12	EPTR	N/A	YE	2M/PVC	4	Diagram 4
	500	≤200	-25 to +70	IP 67	CPB	PA 12	EPTR	N/A	YE	2M/PVC	4	
10-65 VDC	500	≤200	-25 to +70	IP 67	CPB	PA 12	EPTR	N/A	YE	2M/PVC	5	Diagram 5
	500	≤200	-25 to +70	IP 67	CPB	PA 12	EPTR	N/A	YE	2M/PVC	5	
20-250 VAC 10-300 VDC	20	≤400/300	-25 to +70	IP 67	TC	TC		GN	RD	2M/PUR	6	Diagram 6
10-30 VDC	500	≤200	0 to +60	IP 67	CPB	PA 12	EPTR	N/A	YE	2M/PVC	2	
	10-30 VDC	500	≤200	0 to +60	IP 67	CPB	PA 12	EPTR	N/A	YE	2M/PVC	3
10-30 VDC		1000	≤200	-25 to +85	IP 68, 69K	SS	PVDF	EPTR	N/A	YE	2M/PUR	2
	10-30 VDC	1000	≤200	-25 to +85	IP 68, 69K	SS	PVDF	EPTR	N/A	YE	2M/PUR	3

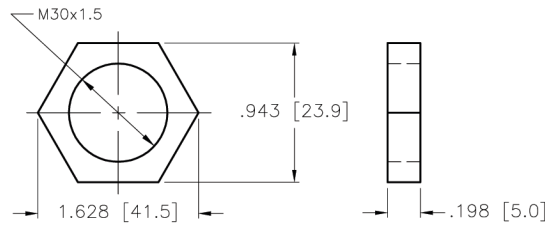
WIRING DIAGRAM



OUTPUT: VP4X

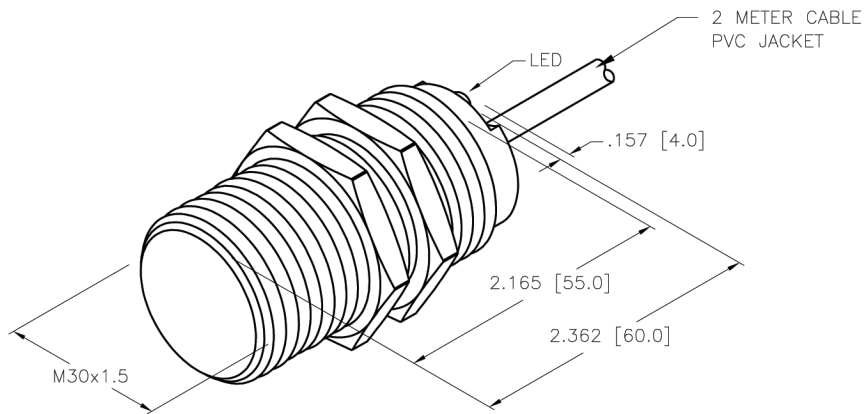
SHORT-CIRCUIT AND OVERLOAD PROTECTED

LOCKNUT LN-M30



SPECIFICATIONS

RATED OPERATING DISTANCE	15mm [.591"]
MOUNTING MODE	FLUSH
HYSTERESIS	3-15%
MIN. REPEAT ACCURACY	≤ 2%
TEMPERATURE DRIFT	≤ ± 10%
OPERATING TEMPERATURE	-25°C to +70°C (-13°F to +158°F)
RATED OPERATIONAL VOLTAGE	10-65 VDC
RESIDUAL RIPPLE	≤ 10%
DC RATED OPERATIONAL CURRENT	≤ 200 mA
NO-LOAD CURRENT	≤ 15 mA
RESIDUAL CURRENT	≤ 0.1 mA
RATED INSULATION VOLTAGE	≤ 0.5 kV
SHORT-CIRCUIT PROTECTED	YES
MAX. VOLTAGE DROP	≤ 1.8 V
REVERSE POLARITY PROTECTION	INCORPORATED
WIRE-BREAK PROTECTION	INCORPORATED
OUTPUT FUNCTION	4-WIRE, CHANGE OVER, PNP
MAX. SWITCHING FREQUENCY	≤ 0.5 kHz
HOUSING MATERIAL	BRASS/CHROME-PLATED
ACTIVE FACE MATERIAL	PLASTIC, PA12-GF30
END CAP MATERIAL	PLASTIC, EPTR
CABLE	ø5.2, LiYY, PVC
SHOCK RESISTANCE	30 g, 11 ms
VIBRATION RESISTANCE	55 Hz, 1 mm AMPLITUDE (IN ALL 3 PLANES)
DEGREE OF PROTECTION	IP67
SWITCHING STATUS INDICATION	LED, YELLOW



SOURCE DRAWING - FOR REFERENCE ONLY

RELATED DOCUMENTS 1. 2. 3. 4.	3RD ANGLE PROJECTION 	THIS DRAWING IS PROPERTY OF TURCK INC. USE OF THIS DOCUMENT WITHOUT WRITTEN PERMISSION IS PROHIBITED.		TURCK INC High Technology Sensors and Automation Controls	
	MATERIAL	TOLERANCES UNLESS OTHERWISE SPECIFIED .X ±0.02 .XX ±0.01 .XXX ±0.005 ANGLES ±1° ALL MILLIMETER DIMENSIONS ARE REFERENCE ONLY	DRFT IK	DATE 05/09/01	DESCRIPTION B115-M30-VP4X
			DSGN AF	SCALE 1=1.3	
	FINISH		UNIT OF MEASUREMENT INCH [MILLIMETER]		IDENTIFICATION NO. T4570713
DO NOT SCALE THIS DRAWING		FILE: T4570713		SHEET 1 OF 1	

A	DRAWING RELEASE	RDS	12/12/07	
REV	DESCRIPTION	BY	DATE	ECO NO.